

WEGA[®]

PARTS

Catalogo Ricambi

Spare Parts Catalogue

Catalogue Pièces Détachées

Ersatzteile Katalog

ATLAS

Il presente catalogo ricambi, riservato ai venditori WEGA e non cedibile ad estranei, annulla e sostituisce i precedenti.
WEGA si riserva il diritto di variare in qualsiasi momento e senza preavviso le caratteristiche dei ricambi.

Modalità per ordinare i ricambi

Per ordinare la ricambistica è necessario indicare le seguenti informazioni:

- 1 - La data di pubblicazione del catalogo
- 2 - La tavola relativa all'apparecchio di cui si necessitano i ricambi
- 3 - Il codice del ricambio

N.B. I codici retinati sono quelli modificati rispetto alla versione precedente

Indice

TAV.

*CARROZZERIA - BODY PARTS
CAROSSERIE - KAROSSERIE*

REV. 00

1

*CALDAIA - BOILER
CHAUDIERE - KESSEL*

REV. 00

2

*IMPIANTO IDRAULICO EVD
HYDRAULIC CIRCUIT EVD
CIRCUIT HYDRAULIQUE EVD
WASSER-ANLAGE EVD*

REV. 00

3

*RUBINETTI ACQUA VAPORE
WATER AND STEAM TAPS
ROBINETS EAU/VAPEUR
WASSER DAMPFHAHN*

REV. 00

4

*LIVELLO OTTICO
LEVEL INDICATOR
INDICATEUR NIVEAU
PEGELANZEIGER*

REV. 00

5

*GRUPPO
GROUP
GROUPE
GRUPPE*

REV. 00

6

*IMPIANTO ELETTRICO - ELECTRICAL SYSTEM
CIRCUIT ELECTRIQUE - STROM-ANLAGE*

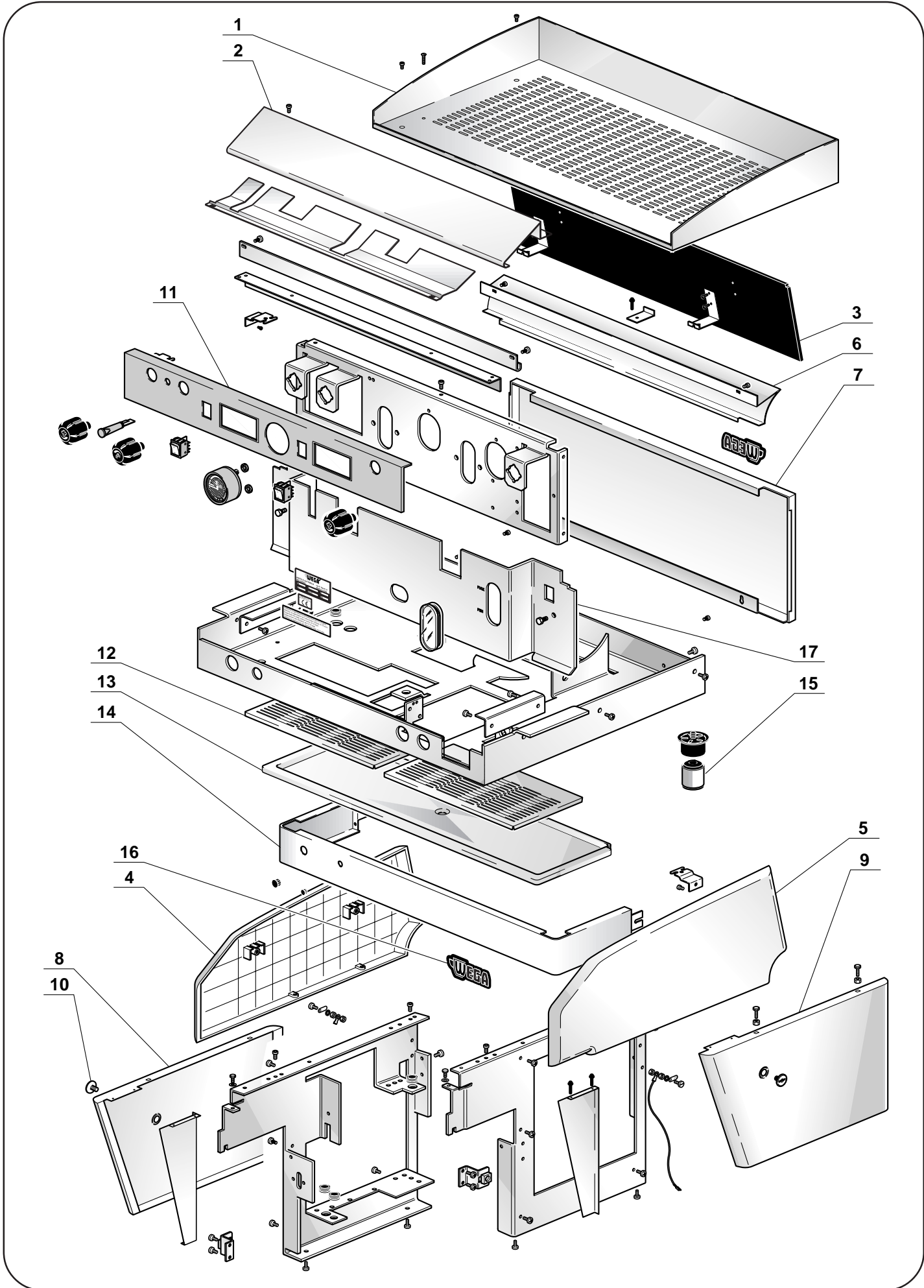
REV. 00

7

*MOTOPOMPA - MOTOR PUMP
MOTOPOMPE - MOTOR PUMP*

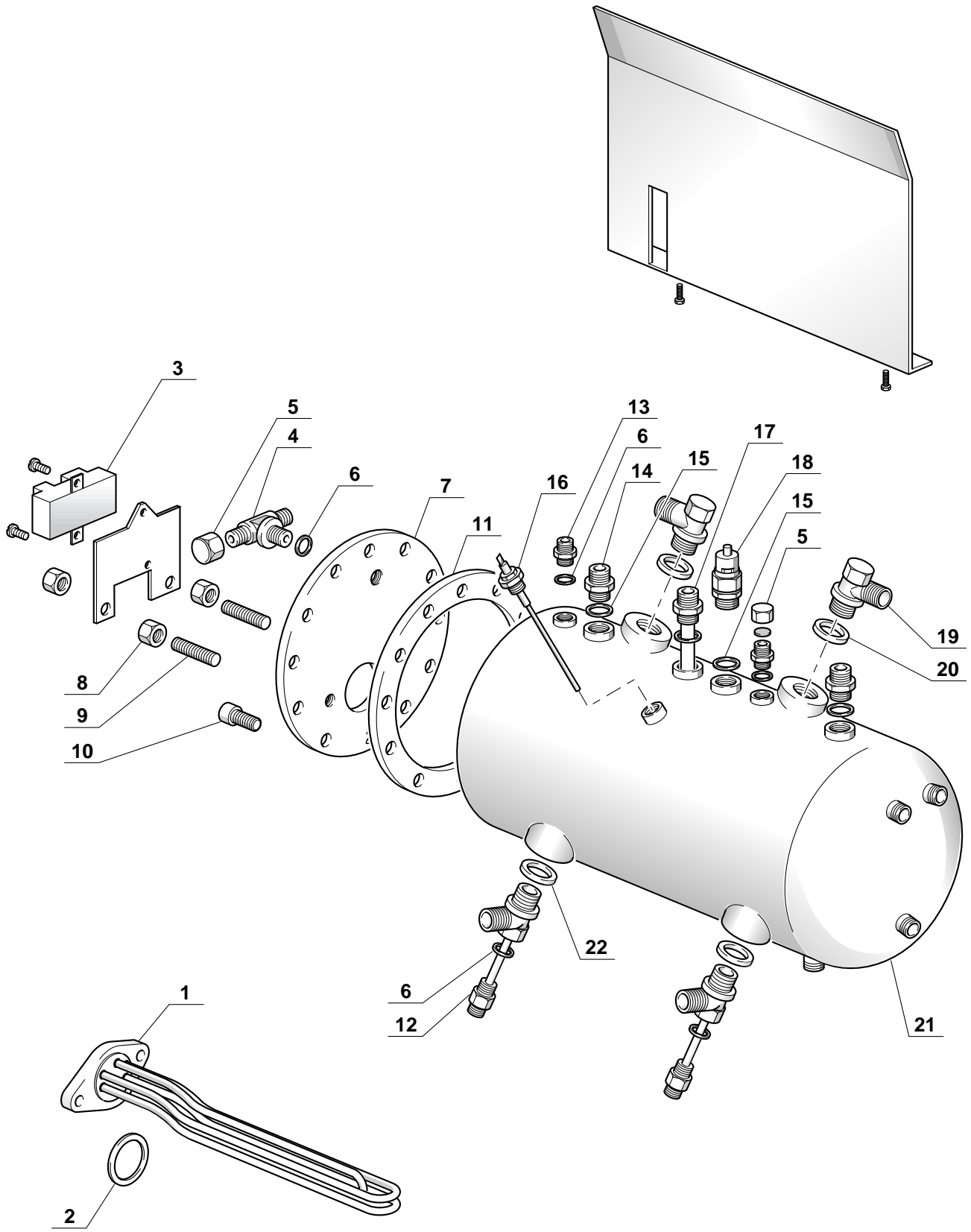
REV. 00

8



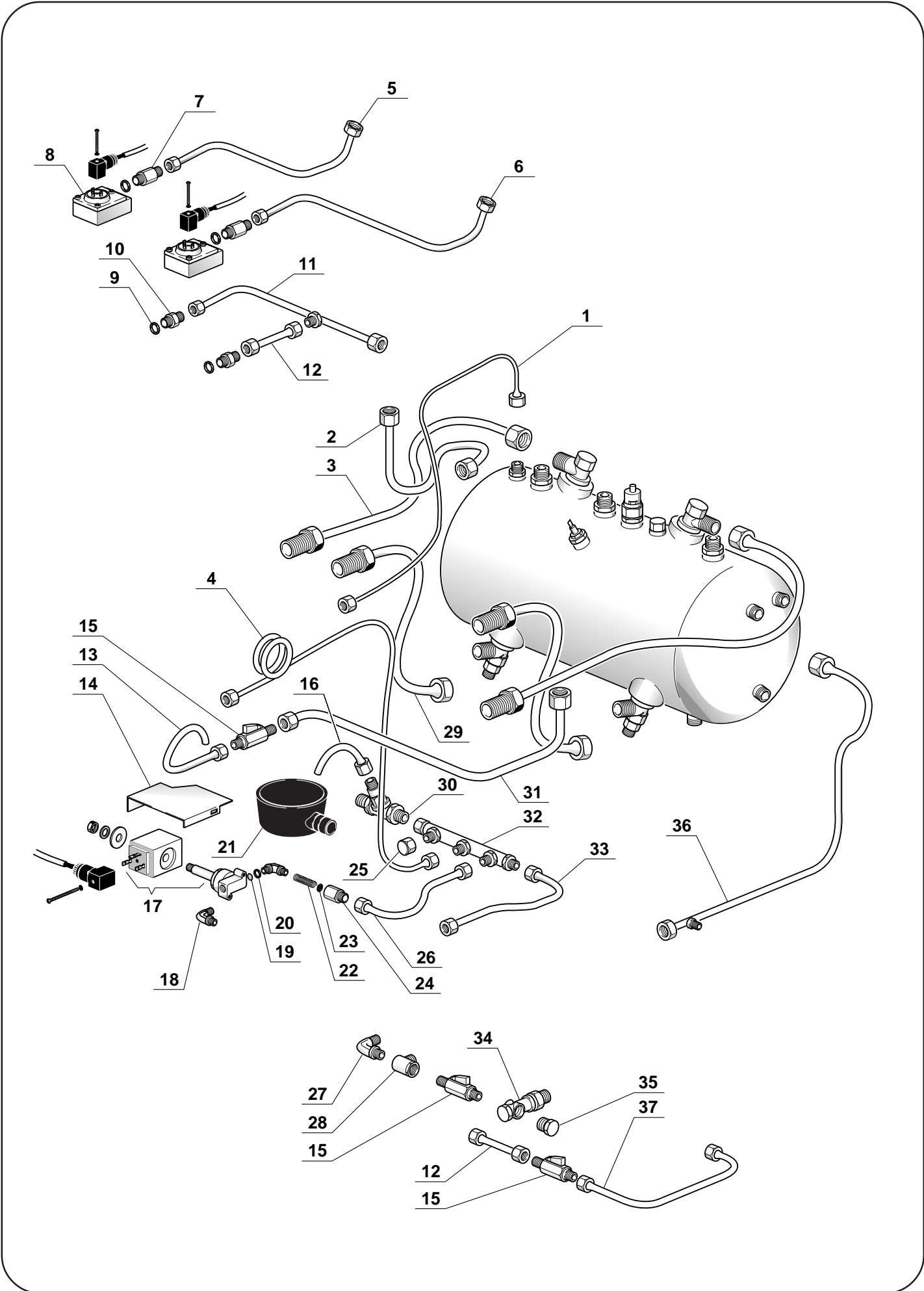
REV
00MOD
ATLAS/2GRCARROZZERIA
BODY PARTS
CAROSSERIE
KAROSSERIEN°
1

R.	COD.	DESCRIZIONE	DESCRIPTION	DESCRIPTION	BESCHREIBUNG
1	W14002	GRIGLIA SUP. 1GR INOX	UPP.GRID 1GR INOX	GRILLE SUP.1GR INOX	OBER.GITTER 1GR INOX
	W14003	GRIGLIA SUP. 2GR INOX	UPP.GRID 2GR INOX	GRILLE SUP.2GR INOX	OBER.GITTER 2GR INOX
	W14004	GRIGLIA SUP. 3GR INOX	UPP.GRID 3GR INOX	GRILLE SUP.3GR INOX	OBER.GITTER 3GR INOX
2	W14005	COPRIGRIGLIA 1GR	GR GRID 1GR	COUVREGR.1GR	GR DECK.GITTER 1GR
	W14006	COPRIGRIGLIA 2GR	GR GRID 2GR	COUVREGR.2GR	GR DECK.GITTER 2GR
	W14007	COPRIGRIGLIA 3GR	GR GRID 3GR	COUVREGR.3GR	GR DECK.GITTER 3GR
3	W14008	PLEXIGLASS POST. 1GR	PLEXIGLASS BACK 1GR	PLEXIGLASS ARR.1GR	RUECK.PLEXIGLASS 1GR
	W14009	PLEXIGLASS POST. 2GR	PLEXIGLASS BACK 2GR	PLEXIGLASS ARR.2GR	RUECK.PLEXIGLASS 2GR
	W14010	PLEXIGLASS POST. 3GR	PLEXIGLASS BACK 3GR	PLEXIGLASS ARR.3GR	RUECK.PLEXIGLASS 3GR
4	W14011	FIANCO SUP. SX	SIDE UPP. PAN. SX	PANN. LAT. SUP. SX	OBER. SEIT. PAN. SX
5	W14019	FIANCO SUP. DX	SIDE UPP. PAN. DX	PANN. LAT. SUP. DX	OBER. SEIT. PAN. DX
6	W14012	PORTA PLEXIGLASS 1GR	BRACKET PLEXIGLASS 1GR	SUPP. PLEXIGLASS 1GR	PLEXIGLASS TRAEGER 1GR
	W14013	PORTA PLEXIGLASS 2GR	BRACKET PLEXIGLASS 2GR	SUPP. PLEXIGLASS 2GR	PLEXIGLASS TRAEGER 2GR
	W14014	PORTA PLEXIGLASS 3GR	BRACKET PLEXIGLASS 3GR	SUPP. PLEXIGLASS 3GR	PLEXIGLASS TRAEGER 3GR
7	W14015	PANNELLO POST. 1GR	BACK PAN.1GR	PANN.ARR.1GR	RUECK PAN.1GR
	W14016	PANNELLO POST. 2GR	BACK PAN.2GR	PANN.ARR.2GR	RUECK PAN.2GR
	W14017	PANNELLO POST. 3GR	BACK PAN.3GR	PANN.ARR.3GR	RUECK PAN.3GR
8	W14018	FIANCO INF. SX	SIDE LOW. PAN. SX	PANN. LAT. INF. SX	UNT. SEIT. PAN. SX
9	W14001	FIANCO INF. DX	SIDE LOW. PAN. DX	PANN. LAT. INF. DX	UNT. SEIT. PAN. DX
10	W00214	VITE FIANCO.AIRY.NICHEL	SCREW CLAMPING FIANCO	VIS FIXATION	SEIT.BEFESTIG.SCHRAUB
11	W14020	PANNELLO COM. 1GR EPV	UPP.FRONTPAN.1GR EPV	TABLEAU 1GR EPV	SCHALTBRETT 1GR EPV
	W14021	PANNELLO COM. 2GR EPV	UPP.FRONTPAN.2GR EPV	TABLEAU 2GR EPV	SCHALTBRETT 2GR EPV
	W14022	PANNELLO COM. 3GR EPV	UPP.FRONTPAN.3GR EPV	TABLEAU 3GR EPV	SCHALTBRETT 3GR EPV
	W14023	PANNELLO COM. 1GR EVD	UPP.FRONTPAN.1GR EVD	TABLEAU 1GR EVD	SCHALTBRETT 1GR EVD
	W14024	PANNELLO COM. 2GR EVD	UPP.FRONTPAN.2GR EVD	TABLEAU 2GR EVD	SCHALTBRETT 2GR EVD
	W14000	PANNELLO COM. 3GR EVD	UPP.FRONTPAN.3GR EVD	TABLEAU 3GR EVD	SCHALTBRETT 3GR EVD
12	W10081	GRIGLIA INF.1GR	LOW.GRID 1GR	GRILLE INF.1GR	UNTERGITTER 1GR
	W10082	GRIGLIA INF.DX 2-4GR	LOW.GRID DX 2-4GR	GRILLE INF.DX 2-4GR	UNTERGITTER DX 2-4GR
	W10083	GRIGLIA INF.SX 2-4GR	LOW.GRID SX 2-4GR	GRILLE INF.SX 2-4GR	UNTERGITTER SX 2-4GR
	W10084	GRIGLIA INF.3-4GR CENTR.	LOW.MID GRID 3-4 GR	GRILLE INF.3-4 GR CENTR.	UNTERGITTER 3-4 GR MITT.
13	W10086	BACINEL.1GR	PAN 1GR	BAC 1GR	TROPFW.1GR
	W10087	BACINEL.2GR	PAN 2GR	BAC 2GR	TROPFW.2GR
	W10088	BACINEL.3GR	PAN 3GR	BAC 3GR	TROPFW.3GR
14	W14025	PROF.BAS.1GR ROSSO MET.	PROF.BAS.1GR MET.RED	PROF.BAS.1GR MET.ROUGE	UNT.PROF.1GR MET.ROT
	W11770	PROF.BAS.2GR ROSSO MET.	PROF.BAS.2GR MET.RED	PROF.BAS.2GR MET.ROUGE	UNT.PROF.2GR MET.ROT
	W11771	PROF.BAS.3GR ROSSO MET.	PROF.BAS.3GR MET.RED	PROF.BAS.3GR MET.ROUGE	UNT.PROF.3GR MET.ROT
15	W10798	PIEDINO REGOLABILE	FOOT ADJUST.	PIED REGLABLE	REGEL.FUSS
16	W10787	TARGA WEGA NOVA	LABEL WEGA NOVA	PLAQUETTE WEGA NOVA	SCHILDE WEGA NOVA
17	W14030	COPRICALDAIA 1GR	FRONT.PAN.1GR	PANN.FRONT.1GR	VORD.PAN.1GR
	W14031	COPRICALDAIA 2GR	FRONT.PAN.2GR	PANN.FRONT.2GR	VORD.PAN.2GR
	W14032	COPRICALDAIA 3GR	FRONT.PAN.3GR	PANN.FRONT.3GR	VORD.PAN.3GR



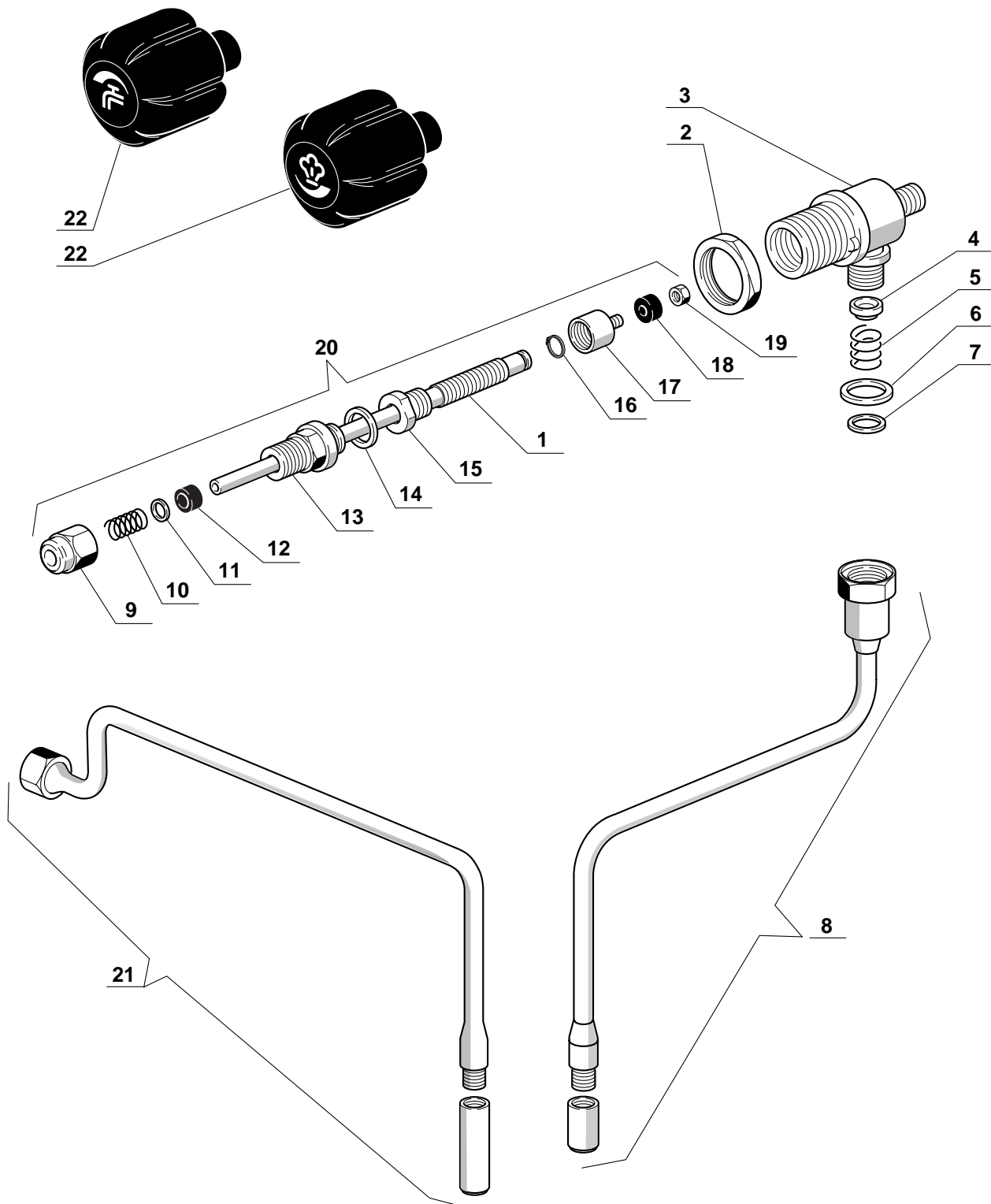
REV
00MOD
ATLAS/2GRCALDAIA
BOILER
CHAUDIERE
KESSELN°
2

R.	COD.	DESCRIZIONE	DESCRIPTION	DESCRIPTION	BESCHREIBUNG
1	W05151	RES.1GR 230/380V 2700W	ELEMENT 1GR 230/380V 2700W	RESIST.1GR 230/380V 2700W	HEIZKOERP.1GR 230/380V 2700W
	W05152	RES.2GR 230/380V 3400W	ELEMENT 2GR 230/380V 3400W	RESIST.2GR 230/380V 3400W	HEIZKOERP.2GR 230/380V 3400W
	W10466	RES.3GR 230/380V 5000W	ELEMENT 3GR 230/380V 5000W	RESIST.3GR 230/380V 5000W	HEIZKOERP.3GR 230/380V 5000W
2	W10470	GUARN RES.TEFLON	GASKET ELEMENT	JOINT RESIST.	HEIZKOERP.DICHT.
3	W05154	TERMOST.120C.2 POLI	THERMOST.	THERMOSTAT	THERMOST.
	W05272	TERMOST.135C.2 POLI	THERMOST.	THERMOSTAT	THERMOST.
	W10411	TERMOST.120C.3 POLI	THERMOST.	THERMOSTAT	THERMOST.
4	W10675	RACC.T	FITTING T	RACCORD T	NIPPEL T
5	W10668	TAPPO FEMMINA 1/4	CAP	BOUCHON	VERSCHL.
6	W00055	GUARN.1/4 RAME	GASKET COPP.	JOINT CUIV.AMIANT	DICHT.
7	W10471	FLANGIA CALDAIA	FLANGE	FLASQUE	FLANSCH
8	W10446	DADO OTTONE M8	NUT BRASS M8	ECROU LAIT.M8	MUTTER MESS.M8
9	W10447	PRIGION.INOX	SCREW INOX	PRISONNIER INOX	GEWINDESTIFT INOX
10	W00209	VITE M 10X20.INOX.TCCE	SCREW M 10 X 20 INOX	VIS M 10 X 20 INOX	SCHRAUB M 10 X 20 INOX
11	W10472	GUARN.CALDAIA TEFLON	GASKET BOILER	JOINT CHAUDIERE	KESSEL DICHT.
12	W10505	INIETTORE	INJECTOR	INJECTEUR	SPRITZDUESE
13	W00237	RACC.1/4MX1/4M.FLANGIA	FITTING 1/4MX1/4M FLANG	RACCORD 1/4MX1/4M FLASQ	NIPPEL 1/4M X 1/4M FLAN
14	W10499	RACC.3/8	FITTING 3/8	RACCORD 3/8	NIPPEL 3/8
15	W10498	GUARN.RAME	GASKET COPP.	JOINT CUIVRE	KUPF.DICHT.
16	W10655	SONDA LIV.	LEVEL PROBE	SONDE NIVEAU	SONDE NIVEAU
17	W10501	PESCANTE ACQUA	TUBE	TUYAU EAU	ROHR WASSER
18	W10656	VALV.SICUREZZA	SAFETY VALVE	VANNE SECURITE	SICHEREIT.VENT.
	W10657	VALV.SICUREZZA TUV	SAFETY VALVE TUV	VANNE SECURITE TUV	SICHEREIT.VENT.TUV
	W10658	VALV.SICUREZZA ISPESL	SAFETY VALVE ISPSEL	VANNE SECURITE ISPESL	SICHEREIT.VENT.ISPESL
19	W10463	RACC.L 1/2	FITTING L 1/2	RACCORD L 1/2	NIPPEL L 1/2
20	W00057	GUARN.RAME	COPP.GASKET	JOINT CUIV.	KUPF.DICHT.
21	W10476	CALDAIA SPAGNA 1GR	BOILER SPAIN 1GR	CHAUDIERE ESPAGNE 1GR	KESSEL SPANIEN 1GR
	W10482	CALDAIA SPAGNA 2GR	BOILER SPAIN 2GR	CHAUDIERE ESPAGNE 2GR	KESSEL SPANIEN 2GR
	W10483	CALDAIA SPAGNA 3GR	BOILER SPAIN 3GR	CHAUDIERE ESPAGNE 3GR	KESSEL SPANIEN 3GR
22	W00057	GUARN.RAME	COPP.GASKET	JOINT CUIV.	KUPF.DICHT.



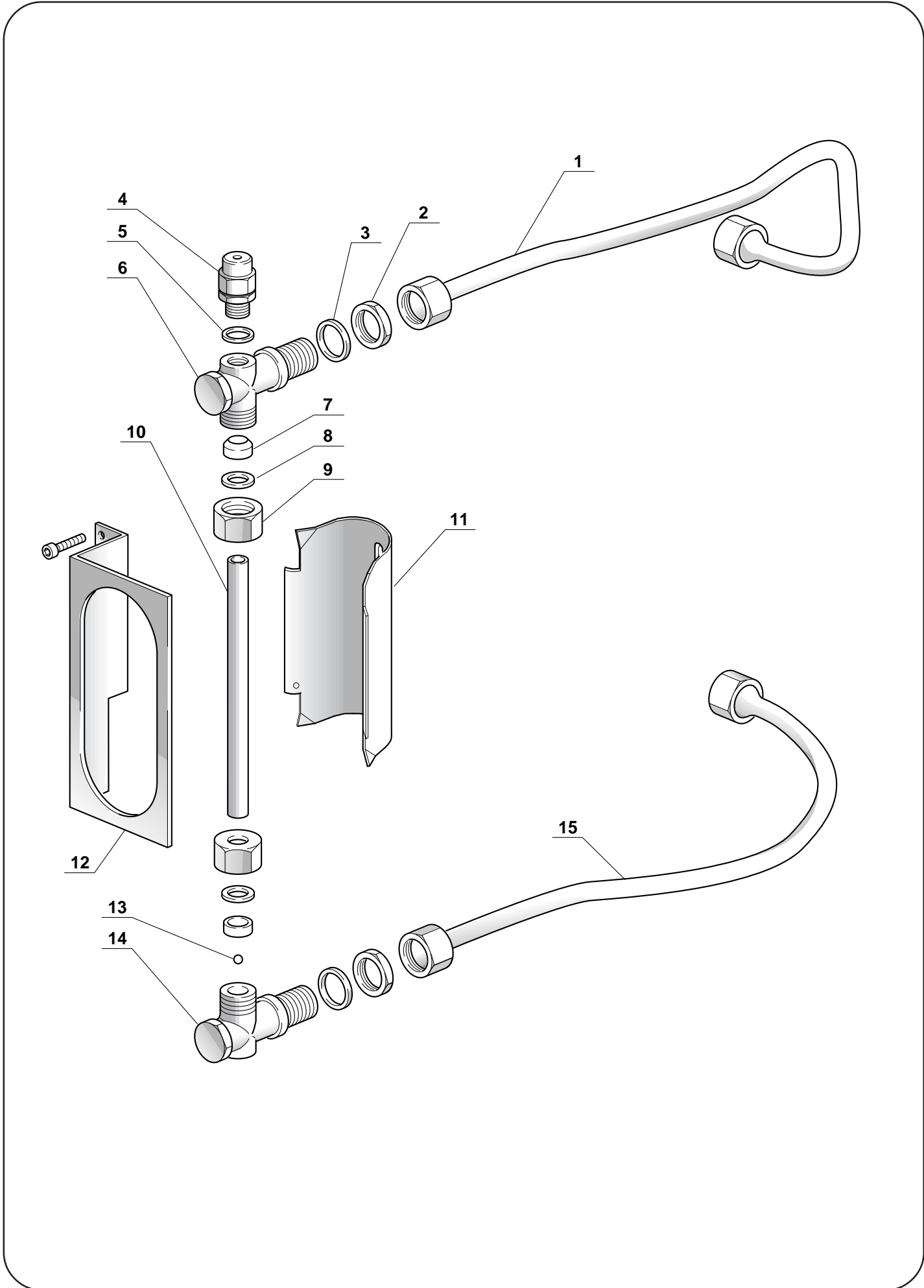
REV
00MOD
ATLAS/2GRIMPIANTO IDRAULICO EVD
HYDRAULIC CIRCUIT EVD
CIRCUIT HYDRAULIQUE EVD
WASSER-ANLAGE EVDN°
3

R.	COD.	DESCRIZIONE	DESCRIPTION	DESCRIPTION	BESCHREIBUNG
1	W14026	TUBO MANOMET. CALDAIA	MANOMET.TUBE	TUYAU MANOMET.	MANOMETER ROHR
2	W14027	TUBO PRESSOSTATO	PRESSOSTAT TUBE	TUYAU PRESSOSTAT	PRESSOSTAT ROHR
3	W10503	TUBO SUP.SCAMBIAT.	UPP.TUBE HEATEXCH.	TUYAU SUP.ECHANG.	OBER.WAERMETAUSCH.ROHR
4	W14028	TUBO MANOMET.POMPA	MANOMET.TUBE	TUYAU MANOMET.	MANOMETER ROHR
5	W05230	TUBO INIETT.2-3GR SX	TUBE INJECTOR 2-3GR SX	TUYAU INJECTEUR 2-3GR SX	SPRITZDUESE ROHR 2-3GR SX
6	W05220	TUBO INIETT.1GR EVD	TUBE INJECTOR 1GR EVD	TUYAU INJECTEUR 1GR EVD	SPRITZDUESE ROHR 1GR EVD
	W05227	TUBO INIETT.2GR EVD	TUBE INJECTOR 2GR EVD	TUYAU INJECTEUR 2GR EVD	SPRITZDUESE ROHR 2GR EVD
	W05228	TUBO INIETT.3GR EVD	TUBE INJECTOR 3GR EVD	TUYAU INJECTEUR 3GR EVD	SPRITZDUESE ROHR 3GR EVD
7	W05221	RACCORDO 1/4X1/4 LUNGO	FITTING	RACCORD	NIPPEL
8	W10785	CONTATORE VOLUMETRICO	FLOWMETER	COMPTEUR VOLUMETR.	FLOWMETER
9	W10651	GUARN.RAME.1/4	GASKET COPP.	JOINT CUIVRE	DICHT.KUPF.
10	W00237	RACC.1/4MX1/4M.FLANGIA	FITTING 1/4MX1/4M FLANG	RACCORD 1/4MX1/4M FLASQ	NIPPEL 1/4M X 1/4M FLAN11
11	W05219	TUBO DOSAT.1GR	DOS.DEVICE TUBE 1GR	TUYAU DOSEURS 1GR	DOSIER.ROHR 1GR
	W05232	TUBO DOSAT.2GR	DOS.DEVICE TUBE 2GR	TUYAU DOSEURS 2GR	DOSIER.ROHR 2GR
	W05233	TUBO DOSAT.3GR	DOS.DEVICE TUBE 3GR	TUYAU DOSEURS 3GR	DOSIER.ROHR 3GR
12	W05191	TUBO VALV.	VALVE TUBE	TUYAU VANNE	VENT.ROHR
13	W05212	TUBO SCARICO	DRAIN TUBE	TUYAU VIDANGE	AUSLAUF ROHR
14	W05293	COPRIELETTRORIVOLE	SOLENOID VALVE COVER	COUVREELECTROVAN.	MAGNETVENT.SCHUTZ
15	W10849	RUBIN.CHIUS.AUTOLIV.	AUTOLEVEL TAP	ROBIN.AUTONIVEAU	HAHN AUTONIVEAU
16	W11748	TUBETTO SCARICO	DRAIN TUBE	TUYAU VIDANGE	AUSLAUF ROHR
17	W00542	ELETTRORIVOLE.PARKER 220V	SOLENOID VALVE 220V	ELECTROVAN.220V	MAGNETVENT.220V
	W00552	ELETTRORIVOLE.PARKER 110V	SOLENOID VALVE 110V	ELECTROVAN.110V	MAGNETVENT.110V
18	W05173	RACCORDO L 1/4 X 1/8	FITTING	RACCORD	NIPPEL
19	W10305	FILTRO ELETTRORIVOLE.	SOLENOID VALVE FILTER	FILTRE ELECTROVAN.	MAGNETVENT.FILTER
20	W10316	ROND.DIAM.6MM RAME	WASHER DIAM.6MM COPP.	RONDELLE DIAM.6MM CUIV.	SCHIBE DURCHM.6MM KUPF.
21	W10795	VASCHET.SCARICO TONDA	TRAY DRAIN ROUND	CUVETTE VIDANGE RONDE	RUND.AUSLAUF.WANNE
22	W05198	MOLLA	SPRING	RESSORT	FEDER
23	W05197	FILTRO	FILTER	FILTRE	FILTER
24	W05196	RACCORDO DRITTO	FITTING	RACCORD	NIPPEL
25	W10668	TAPPO FEMMINA 1/4	CAP	BOUCHON	VERSCHL.
26	W14036	TUBO AEA.	TUBE AUT. WATER FILLER	TUYAU NIVEAU AUT.	ROHR WASSER FUELL.
27	W10895	RACC.L	FITTING L	RACCORD L	NIPPEL L
28	W10885	RACC.T	FITTING T	RACCORD T	NIPPEL T
29	W10506	TUBO INF.SCAMBIAT.	TUBE LOW. HEATEXCH.	TUYAU INF.ECHANG.	WAERMETAUSCH.UNT.ROHR
30	W05091	VALV.REGOLABILE	ADJUST.VALVE	VANNE REGLABLE	EINSTELL.VENT.
31	W05209	TUBO SCARICO CALDAIA 2GR	DRAIN TUBE 2GR	TUYAU VIDANGE 2GR	AUSLAUF ROHR 2GR
	W05210	TUBO SCARICO CALDAIA 3GR	DRAIN TUBE 3GR	TUYAU VIDANGE 3GR	AUSLAUF ROHR 3GR
	W05176	TUBO SCARICO CALDAIA 1GR	DRAIN TUBE 1GR	TUYAU VIDANGE 1GR	AUSLAUF ROHR 1GR
32	W05199	BLOCCO DISTRIBUZIONE	ASSEMBLY	ENSEMBLE	SATZ
33	W14029	TUBO	TUBE	TUYAU	SCHLAUCH
34	W11726	CORPO LIV.INF.	BODY LEVEL LOW.	CORPS NIVEAU INF.	UNT.NIVEAU KOERPER
35	W10667	TAPPO MASCHIO 1/4	CAP	BOUCHON	VERSCHL.
36	W05188	TUBO CARICO ACQUA	WATER INLET TUBE	TUYAU REMPLISS.EAU	WASSER ABLAUF ROHR
37	W05190	TUBO CARICO ACQUA	WATER INLET TUBE	TUYAU REMPLISS.EAU	WASSER ABLAUF ROHR



REV
00MOD
ATLAS/2GRRUBINETTI ACQUA VAPORE
WATER AND STEAM TAPS
ROBINETS EAU/VAPEUR
WASSER DAMPFHAHNN°
4

R.	COD.	DESCRIZIONE	DESCRIPTION	DESCRIPTION	BESCHREIBUNG
1	W14033	ASTA RUBINETTO	ROD TAP	TIGE ROBIN.	STIFT HAHN
2	W10566	DADO BLOCCA RUBIN.	NUT TAPHOLDER	ECROU FERMEROBIN.	MUTTER HAHN HALTER
3	W10565	CORPO RUBIN.	BODY TAP	CORPS ROBIN.	KOERPER HAHN
4	W10574	ROND.MOLLA	WASHER SPRING	RONDELLE RESSORT	SCHEIBE FEDER
5	W10648	MOLLA	SPRING	RESSORT	FEDER
6	W10650	GUARN.TUBO.VAP.TEFLON	GASKET STEAM TUBE	JOINT TUYAU VAP.	DAMPF ROHR DICHT.
7	W10575	GUARN.SNODO VAP.	GASKET JOINT STEAM	JOINT ROTULE VAP.	DICHT.GELENK.DAMPF
8	W10439	ASSIEME TUBO VAP.	ASSEMBLY STEAM TUBE	ENSEMBLE TUYAU VAP.	SATZ DAMPF ROHR
9	W10662	DADO PREMISTOPPA	NUT SEALING	ECROU PRESSE-ETOUPE	MUTTER STOPFBUECHSE
10	W10648	MOLLA	SPRING	RESSORT	FEDER
11	W10666	ROND.ASTA.RUBIN.	WASHER	RONDELLE	SCHEIBE
12	W10653	GUARN.ASTA RUBIN.	GASKET ROD TAP	JOINT TIGE ROBIN.	DICHT.STIFT HAHN
13	W10673	RACC.RUBIN.	FITTING TAP	RACCORD ROBIN.	NIPPEL HAHN
14	W10649	GUARN.FLANGIA RUBIN.	GASKET TAP	JOINT ROBIN.	HAHN DICHT.
15	W10663	GHIERA	RING	FRETTE	RING
16	W10460	ANELLO SEEGER	RING SEEGER	ANNEAU SEEGER	SEEGER RING
17	W10603	PISTONCINO RUBIN.	PISTON TAP	PISTON ROBIN.	KOLBEN HAHN
18	W10652	GUARN.RUBIN.	GASKET TAP	JOINT ROBIN.	HAHN DICHT.
19	W10659	DADO INOX MM3	NUT INOX MM3	ECROU INOX MM3	MUTTER INOX MM3
20	W14034	ASSIEME RUBINETTO	ASSEMBLY TAP	ENSEMBLE ROBIN.	SATZ HAHN
21	W14035	LANCIA ACQUA	WATER TUBE	TUYAU EAU	WASSER ROHR
22	W10571	MANOP.RUBIN.ACQUA.NOVA	HANDLE TAP WATER	POIGNEE ROBIN.EAU	GRIFF HAHN WASSER
	W10572	MANOP.VAP.NOVA	HANDLE STEAM	POIGNEE VAP.	GRIFF DAMPF



REV

00

MOD

ATLAS/2GR

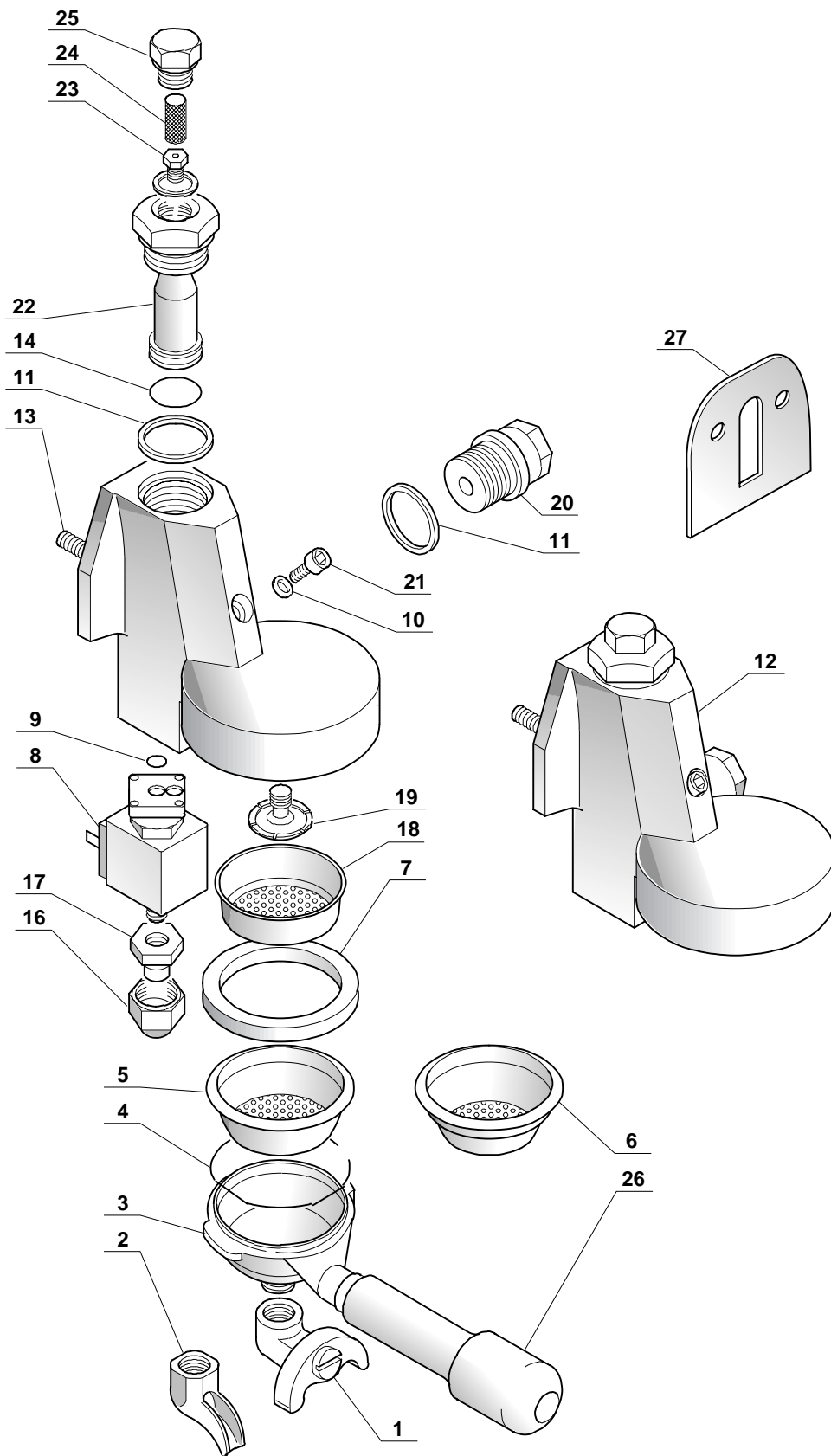
LIVELLO OTTICO
LEVEL INDICATOR
INDICATEUR NIVEAU
PEGELANZEIGER

N°

5

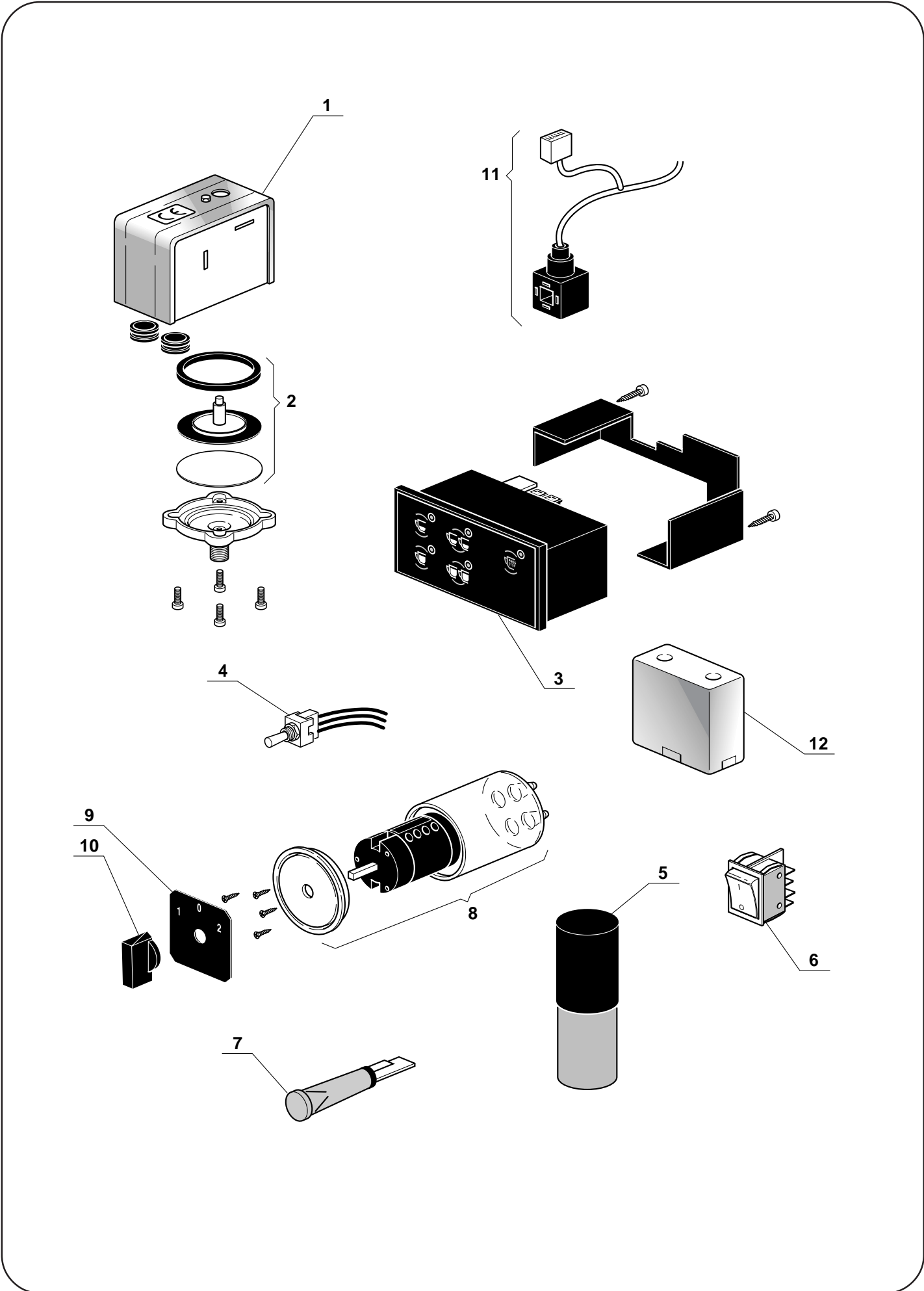


R.	COD.	DESCRIZIONE	DESCRIPTION	DESCRIPTION	BESCHREIBUNG
1	W11724	TUBO SUP.LIV.	UPP.TUBE LEVEL	TUYAU SUP.NIVEAU	OBER NIVEAU ROHR
2	W10661	DADO	NUT	ECROU	MUTTER
3	W10665	ROND.3/8.OTT.CORPO.LIV	WASHER	RONDELLE	SCHEIBE
4	W10836	VALV.ANTIRISUCCHIO	ANTISUCTION VALVE	VANNE DEPRESSION	ENTLUFTUNG.VENT.
5	W10651	GUARN.RAME.1/4	GASKET COPP.	JOINT CUIVRE	DICHT.KUPF.
6	W10562	CORPO LIV.SUP.	BODY LEVEL SUP.	CORPS NIVEAU SUP.	OBER.NIVEAU KOERPER
7	W10557	GUARN.LIV.	GASKET LEVEL	JOINT NIVEAU	DICHT.NIVEAU
8	W10560	ROND.RAME	WASHER COPP.	RONDELLE CUIV.	SCHEIBE KUPF.
9	W10558	DADO	NUT	ECROU	MUTTER
10	W10559	VETRO LIV.	SIGHT GLASS	VERRE NIVEAU	SCHAU GLAS PIREX
11	W10554	MASCHERINA POST.	MASCHERINA BACK	PROTECTION ARR.	RUECK KAPPE
12	W14036	STAFFA LIVELLO	BRACK.LEVEL	EQUERRE NIVEAU	BUEGEL NIVEAU
13	W10561	SFERA LIV.	BALL LEVEL	BILLE NIVEAU	KUGEL NIVEAU
14	W10556	CORPO LIV.INF.	BODY LEVEL INF.	CORPS NIVEAU INF.	UNT.NIVEAU KOERPER
15	W11729	TUBO INF.LIV.	TUBE LOW.LEVEL	TUYAU INF.NIVEAU	UNT.NIVEAU ROHR



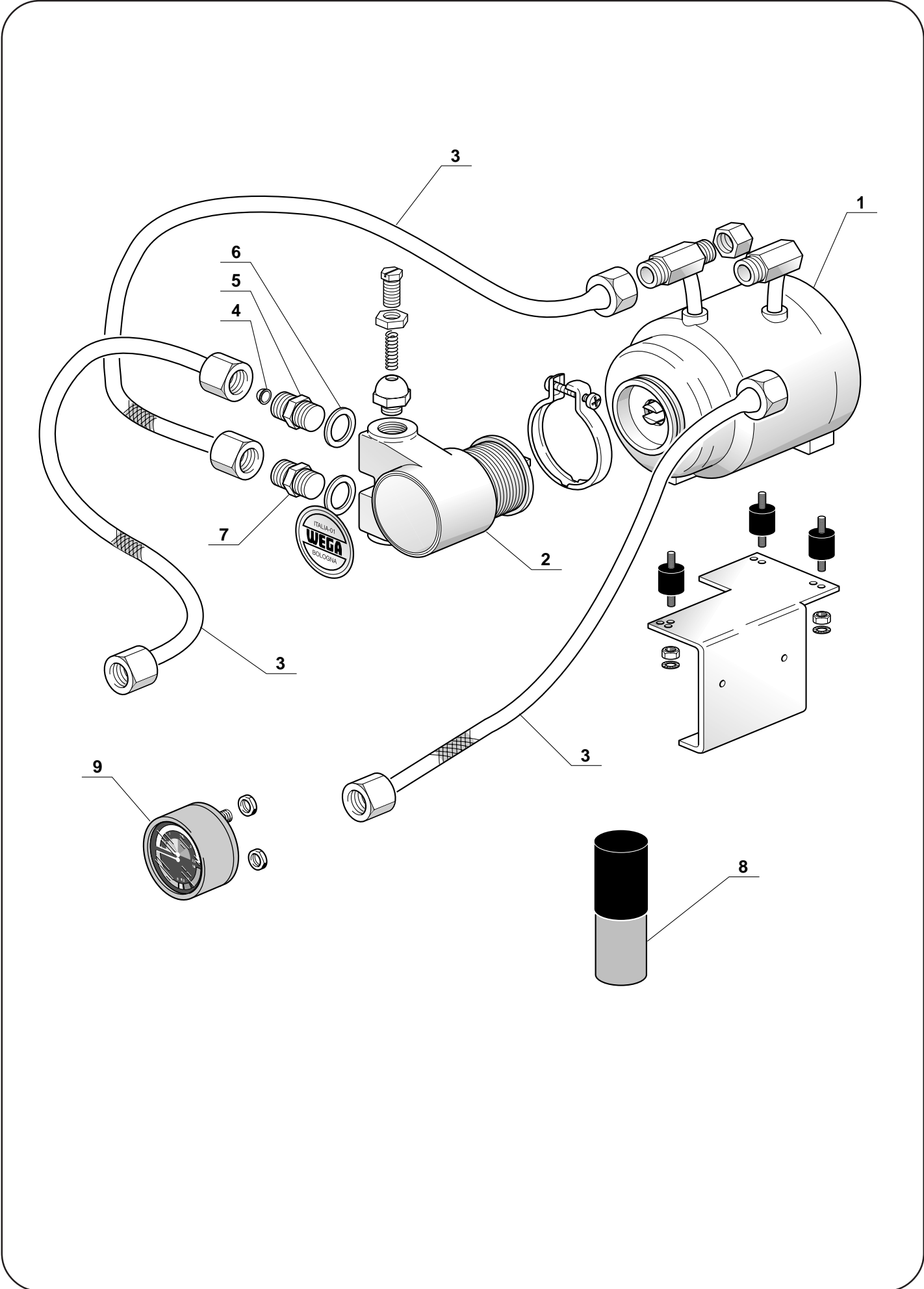
REV
00MOD
ATLAS/2GRGRUPPO
GROUP
GROUPE
GRUPPEN°
6

R.	COD.	DESCRIZIONE	DESCRIPTION	DESCRIPTION	BESCHREIBUNG
1	W10671	BECCUCCIO 2 TAZZE	SPOUT 2 CUPS	BEC 2 TASSES	AUSLAUF 2 TASSEN
2	W10670	BECCUCCIO 1 TAZZA	SPOUT 1 CUP	BEC 1 TASSE	AUSLAUF 1 TASSE
3	W10328	PORTAFILT.WEGA	FILTERHOLD.	PORTEFILT.	SIEBTRAEGER
4	W10327	MOLLA FERMA FILTRO	SPRING FILTER HOLDER	RESSORT FERMEFILTRE	SIEBTRAEGER FEDER
5	W10326	FILTRO 2 TAZZE	FILTER 2 CUPS	FILTRE 2 TASSES	FILTER 2 TASSEN
6	W10325	FILTRO 1 TAZZA	FILTER 1 CUP	FILTRE 1 TASSE	FILTER 1 TASSE
7	W10321	GUARN.PORTAFILT.8MM	GASKET FILTERHOLD.8MM	JOINT PORTEFILT.8MM	SIEBTRAEGER DICHT.8MM
7	W10323	GUARN.PORTAFILT.8.5MM	GASKET FILTERHOLD.8.5M	JOINT PORTEFILT.8.5MM	SIEBTRAEGER DICHT.8.5M
8	W10357	ELETTROVAL.GR 110V 60HZ	SOLENOID VALVE GR 110V 60HZ	ELECTROVAN.GR 110V 60HZ	MAGNETVENT.GR 110V 60HZ
8	W10358	ELETTROVAL.GR 220V 50HZ	SOLENOID VALVE GR 220V 50HZ	ELECTROVAN.GR 220V 50HZ	MAGNETVENT.GR 220V 50HZ
9	W10356	GUARN.X ELETTROV.	GASKET SUPPORT	JOINT SUPP.	DICHT.TRAEGER
10	W10316	ROND.DIAM.6MM RAME	WASHER DIAM.6MM COPP.	RONDELLE DIAM.6MM CUIV.	SCHEIBE DURCHM.6MM KUPF.
11	W10643	GUARN.GR	GASKET GR	JOINT GR	DICHT.GR
12	W10850	ASSIEME GR EPU-EVD	ASSEMBLY GR EPU-EVD	ENSEMBLE GR EPU-EVD	SATZ GR EPU-EVD
13	W10319	PRIGION.8X28 INOX	SCREW 8X28 INOX	PRISONNIER 8X28 INOX	GEWINDESTIFT 8X28 INOX
14	W10311	GUARN.FUNGO	GASKET MUSHROOM	JOINT CHAMPIGNON	DICHT.KOPF
15	W10309	GUARN.TAPPO.GIGLEUR	GASKET CAP	JOINT BOUCHON	DICHT.VERSCHL.
16	W10401	COPRIGETTO	NOZZLE COVER	COUVREJET	SPRITZER SCHUTZ
17	W10400	ROMPIGETTO SCARICO	JET BREAKER DRAIN	BRISE-JET VIDANGE	AUSLAUF SPRITZ.BRECHER
18	W10324	DOCCIA RETE	NET SHOWER	DOUCHE A FILET	DUSCHE NETZ
19	W10320	ROMPIGETTO GR	JET BREAKER	BRISE-JET	SPRITZ.BRECHER
20	W10332	TAPPO GR	CAP GR	BOUCHON GR	GR VERSCHL.
21	W10315	VITE BRUGOLA	SCREW ALLEN	VIS BRUGOLA	SCHRAUB BRUGOLA
22	W10310	FUNGO	MUSHROOM	CHAMPIGNON	KOPF
23	W10308	GIGLEUR	GIGLEUR	GIGLEUR	DUESE
24	W10307	FILTRO GIGLEUR	FILTER GIGLEUR	FILTRE GIGLEUR	FILTER DUESE
25	W10306	TAPPO GIGLEUR	CAP GIGLEUR	BOUCHON GIGLEUR	VERSCHL.DUESE
26	W10329	MANOP.PORTAFILT.WEGA	HANDLE FILTERHOLD.	POIGNEE PORTEFILT.	SIEBTRAEGER GRIFF
26	W05075	MANOP.PORTAFILT.SPHERA	HANDLE FILTERHOLD.	POIGNEE PORTAFILT.	SIEBTRAEGER GRIFF SPINN
27	W10314	DISTANZIALE GR	SPACER GR	ENTRETOISE GR	ZWISCHENSTUECK GR



REV
00MOD
ATLAS/2GRIMPIANTO ELETTRICO
ELECTRICAL SYSTEM
CIRCUIT ELECTRIQUE
STROM-ANLAGEN°
7

R.	COD.	DESCRIZIONE	DESCRIPTION	DESCRIPTION	BESCHREIBUNG
1	W10440	PRESSOSTATO SIRAI	PRESSOSTAT SIRAI	PRESSOSTAT SIRAI	PRESSOSTAT SIRAI
	W10441	PRESSOSTATO U.L.	PRESSOSTAT U.L.	PRESSOSTAT U.L.	PRESSOSTAT U.L.
2	AA0068	MEMBRANA	MEMBRANE	MEMBRANE	MEMBRANE
3	W10839	PULSANT.5 TASTI 220V 98 NERA	TOUCHPAD 5 POS.220V 98	CLAVIER 5 DOSES 220V 98	TASTAT.5 TASTEN 220V 98
	W10808	PULSANT.5 TASTI 110V NERA	TOUCHPAD 5 POS.110V BLACK	CLAVIER 5DOSES 110V NOIR	TASTAT.5 TASTEN 110V SCHWA.
4	W05281	CAVETTO PROGR.	PROGR. CABLE	CABLE PROGR.	PROGR.KABEL
5	W10619	CONDENSAT.220V POMPA INT.	CAPACIT.220V BUILTIN PUMP	CONDENSAT.220V POMPE ENC.	KONDENSAT.220V EING.PUMPE
6	W00115	INTERRUTT.EROG.NOVA	SWITCH BREW.NOVA	INTERRUPT.DEBIT NOVA	BRUEH.SCHALTER NOVA
7	W10747	SPIA 220V/240V	LAMP 220V/240V	VOYANT 220V/240V	WARNUNG LAMPE 220V/240V
	W10746	SPIA 110V	LAMP 110V	VOYANT 110V	WARNUNG LAMPE 110V
8	W10734	INTERRUTT.0-1	SWITCH 0-1	INTERRUPT.0-1	SCHALTER 0-1
	W10735	COMMUTATORE 1/2GR JUN	SWITCH 1-2 GR JUNIOR	COMMUTAT.1-2 GR JUNIOR	UMSCHALT.1-2 GR JUNIOR
	W10833	COMMUTATORE 3-4 GR	SWITCH 3-4 GR	COMMUTAT.3-4 GR	UMSCHALT.3-4 GR
	W10739	COMMUTATORE - CAVO 2GR	SWITCH - CABLE 2GR	COMMUTAT.- CABLE 2GR	UMSCHALT.- KABEL 2GR
9	W10743	ADESIVO COMMUT.1-0-2	LABEL COMMUT.1-0-2	ADHESIF COMMUT.1-0-2	AUFKLEBER UMSCHALT.1-0-2
	W10742	ADESIVO INTERR.0-1	LABEL SWITCH.0-1	ADHESIF INTERR.0-1	AUFKLEBER SCHALTER 0-1
10	W10744	MANOP.COMMUT.	HANDLE COMMUT.	POIGNEE COMMUT.	GRIFF UMSCHALT.
11	W10756	CABLAG.1GR EPU	WIRING 1GR EPU	CABLAGE 1GR EPU	KABELVERB.1GR EPU
	W10757	CABLAG.2GR EPU	WIRING 2GR EPU	CABLAGE 2GR EPU	KABELVERB.2GR EPU
	W10758	CABLAG.3GR EPU	WIRING 3GR EPU	CABLAGE 3GR EPU	KABELVERB.3GR EPU
	W10781	CABLAG.JUN.1GR EVD	WIRING JUN.1GR EVD	CABLAGE JUN.1GR YEVD	KABELV.JUN.1GR EVD
	W10782	CABLAG. 2GR EVD	WIRING 2GR EVD	CABLAGE 2GR EVD	KABELVERB. 2GR EVD
	W10783	CABLAG. 3GR EVD	WIRING 3GR EVD	CABLAGE 3GR EVD	KABELVERB. 3GR EVD
12	W10738	CENTRAL.TIMEOUT 230V	TIMEOUT ELECTR.BOX 230V	BOITIER TIMEOUT 230V	STEUER.TIMEOUT 230V
13	W05247	CENTRAL.TIMEOUT 120V	TIMEOUT ELECTR.BOX 120V	BOITIER TIMEOUT 120V	STEUER.TIMEOUT 120V





TECNOLOGIA PER IL CAFFÈ

Via F. Santi, 9
40011 ANZOLA DELL'EMILIA (BO)
ITALIA
Tel. (051) 6500900
Fax (051) 733701
E-mail: wegasrl@box2.tin.it
<http://www.wega.it>